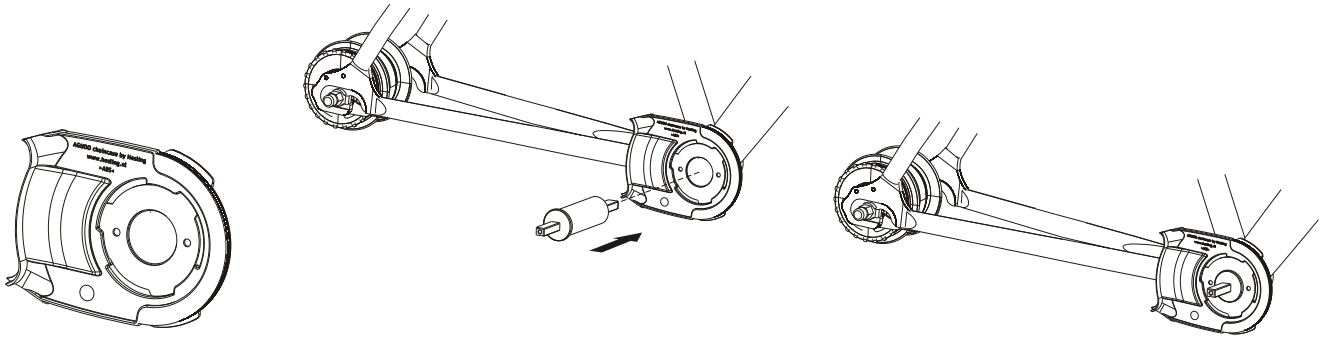
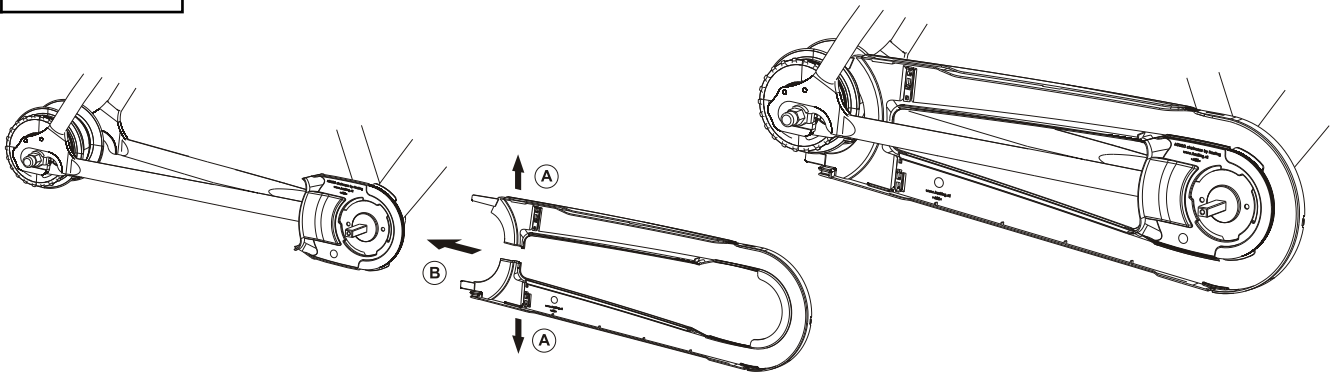


assembly

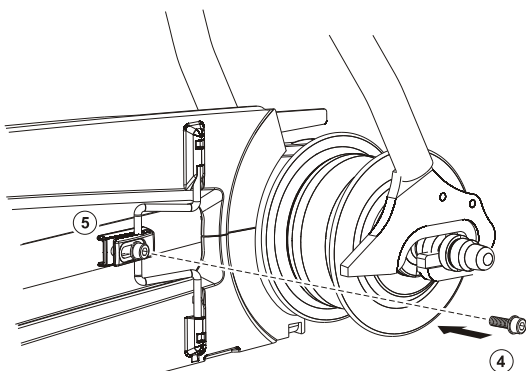
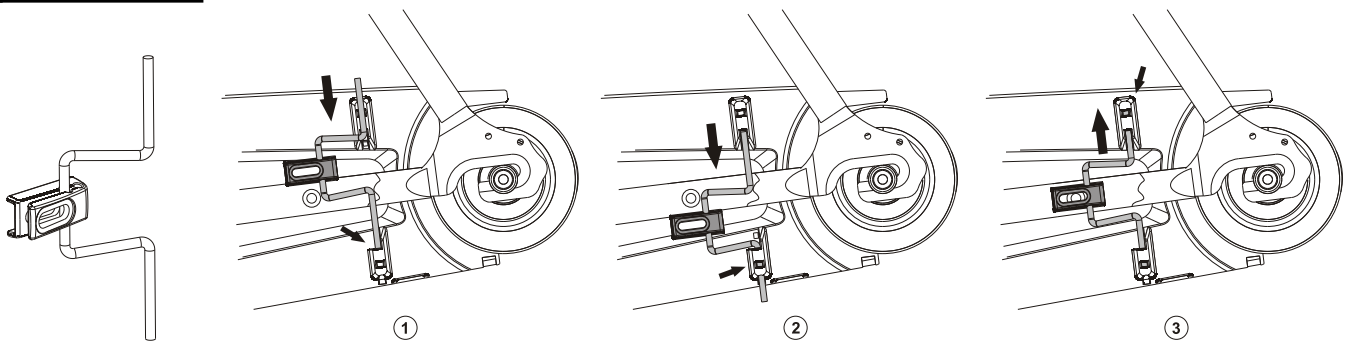
1 assembly frame



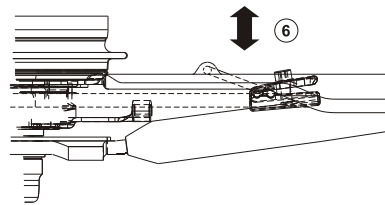
2 back cover



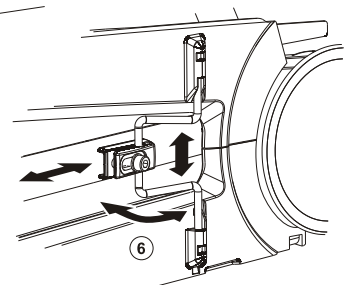
3 swing-a-just



5 Screw the bolt not too tight.
The swing-a-just is still able to move.

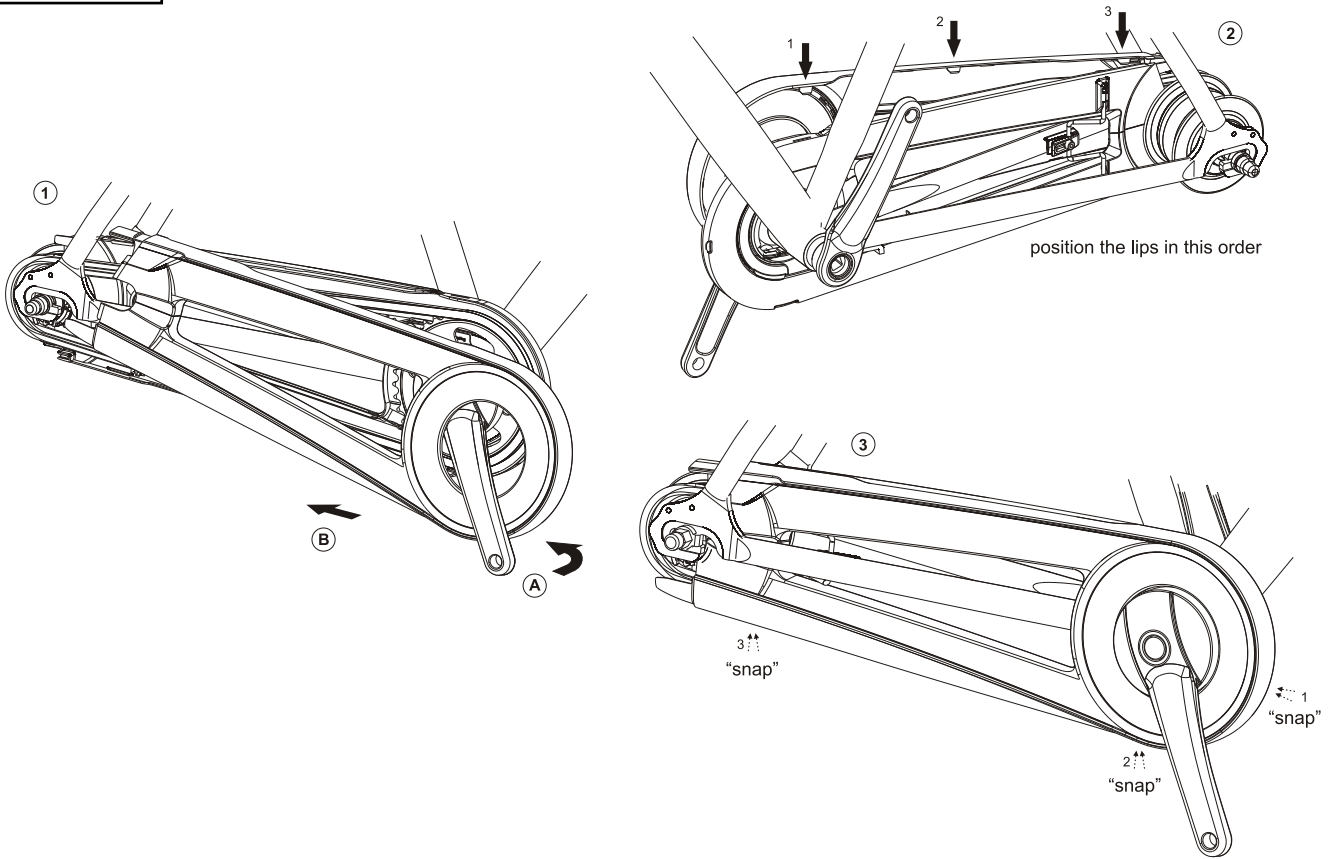


To adjust the chainline move the
swing-a-just in the right position.
Then fix the bolt.

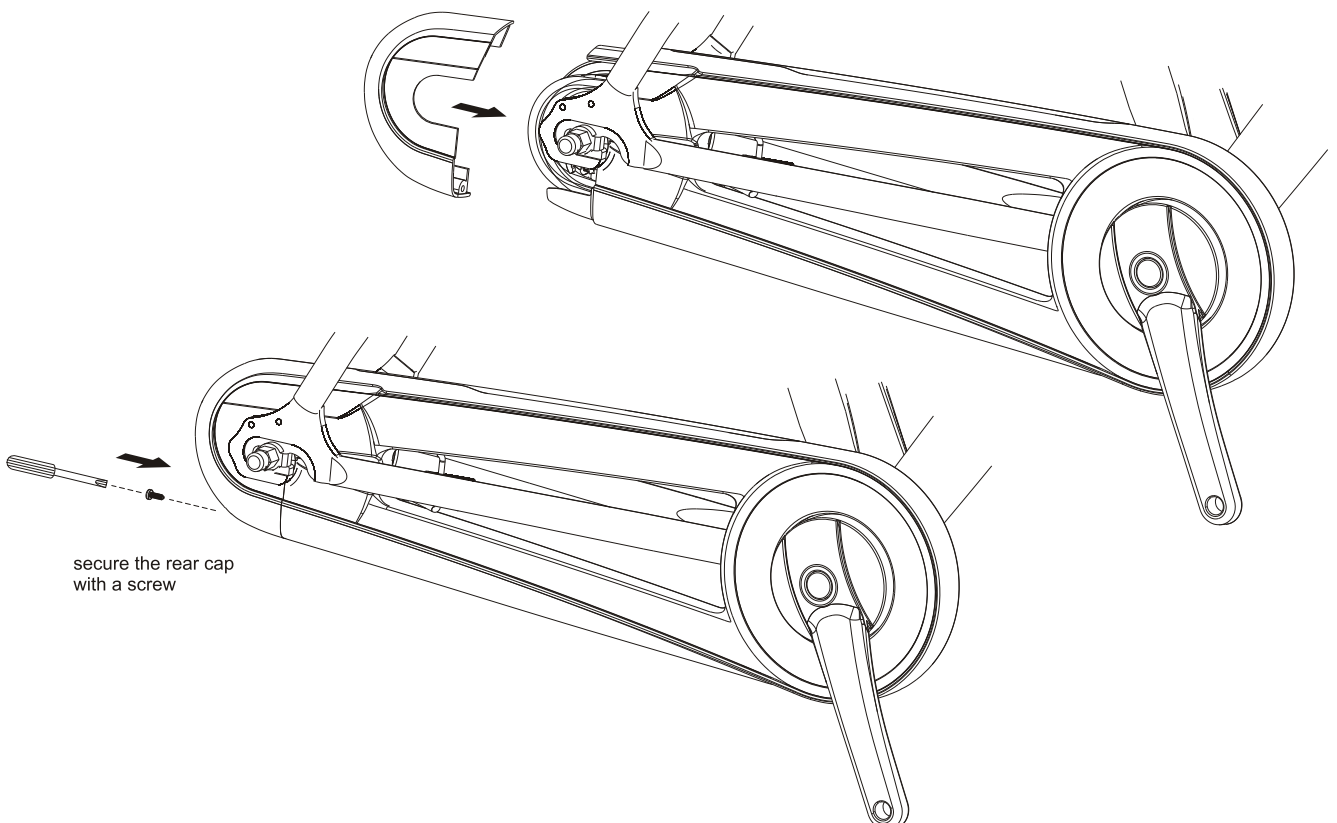


assembly

4 front cover

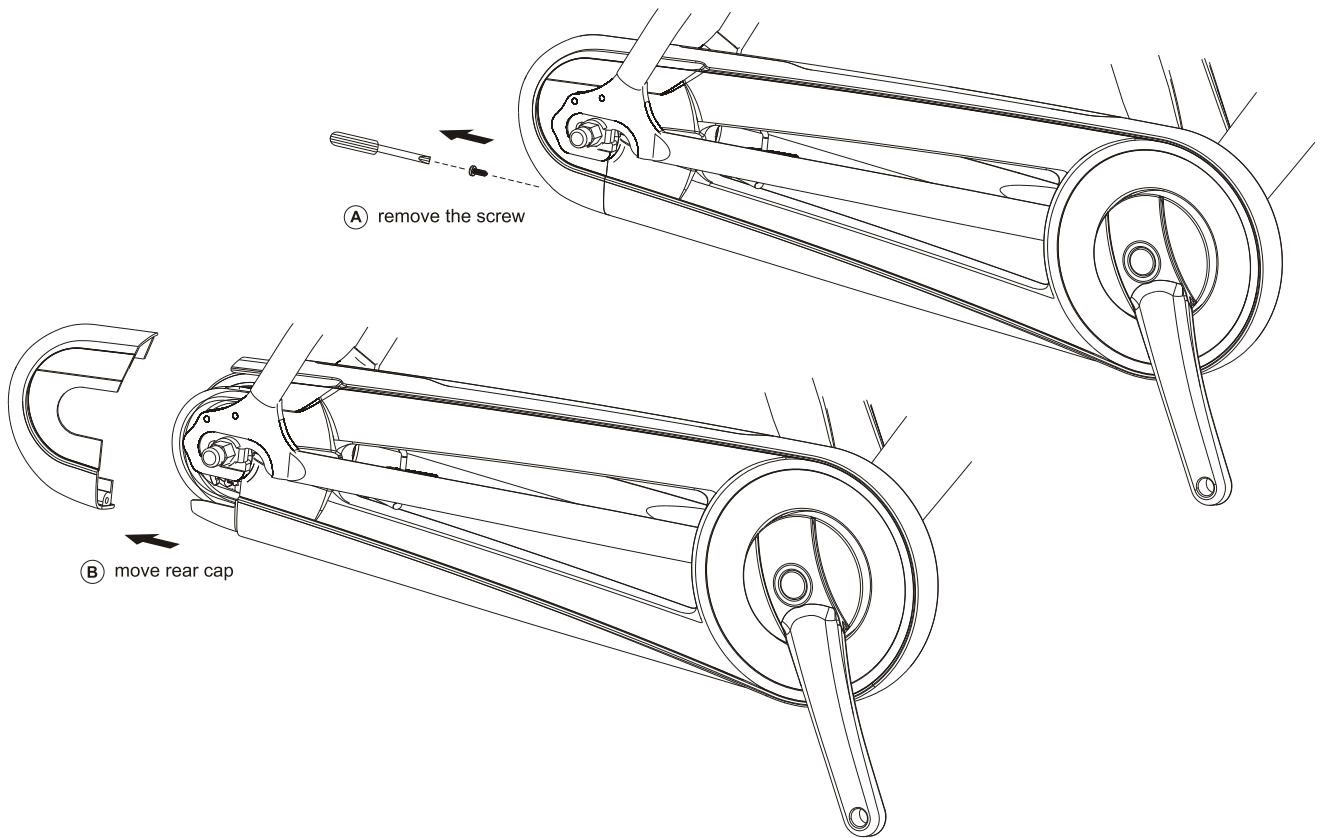


5 rear cap



disassembly rear cap + front cover

1 rear cap



2 front cover

